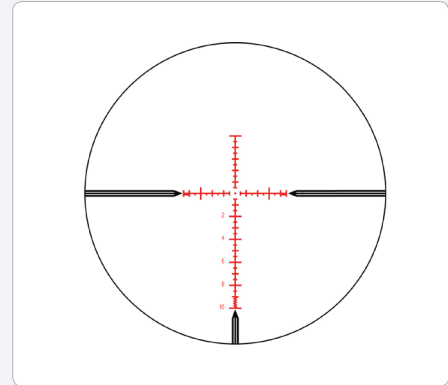


NC 1-6x24

TACTICAL CQB SIGHT



The NC 1-6x24 Tactical Rifle Sight is a rugged, variable, second focal plane (SFP) rifle scope that is the ideal all-in-one sight for law enforcement and military marksmen. With a 1-6x magnification and collapsible quick-adjustment magnification lever, the NC 1-6x24 allows for rapid, accurate target acquisition in both close quarters and medium-range engagements. The NC 1-6x24 includes scope rings for a Picatinny rail, tactile windage and elevation adjustments and multiple brightness settings for the etched ballistic drop reticle (BDC).

Optics	NC 1-6x24
Focal plane	Second
Magnification Range	1-6
Objective lens diameter (mm)	24
Tube diameter (mm)	30
Field of view (°)	21 - 3.7
Exit pupil diameter (mm)	11.0 - 4.0
Eye relief (mm)	90 - 80
Diopter adjustment	±2
Ballistic Specifications	
Windage adjustment range (MOA)	±40
Elevation adjustment range (MOA)	±40
Click value (mil)	0.1
Parallax adjustment	100 yards fixed
Mechanics, Electronics & Environmental	
Dimensions (mm)	270 x 42 x 42
Weight without mount (g)	524
Battery	CR2032
Reticles available	Customizable
Illumination	2 night, 4 day
Brightness levels	6
Operating temperature range (°C)	-32 to +43
Storage temperature range (°C)	-33 to +63
Housing material	6061-T6 aluminum
Waterproofing	MIL STD 810G (1m, 30min)

NC 1-6x24

TACTICAL CQB SIGHT



DELIVERY SET

Supplied with the following standard accessories:

- Objective and eyepiece caps
- Ring mount
- Operation manual
- Lens cleaner

OPTIONAL ACCESSORIES



LENSPEN



QR Mount (30mm)



Soft Case



Mounted on Rifle

NC 1-6x24 TACTICAL CQB SIGHT